

THE REFRACTION UNIT INSTRUCTION

RU 1000



LUXVISION[®]
PRECISION INSTRUMENTS

Preface

Thanks for your buying our product. Please,read it carefully so that you can use : correctly. Please keep it for consultancy,

Contents

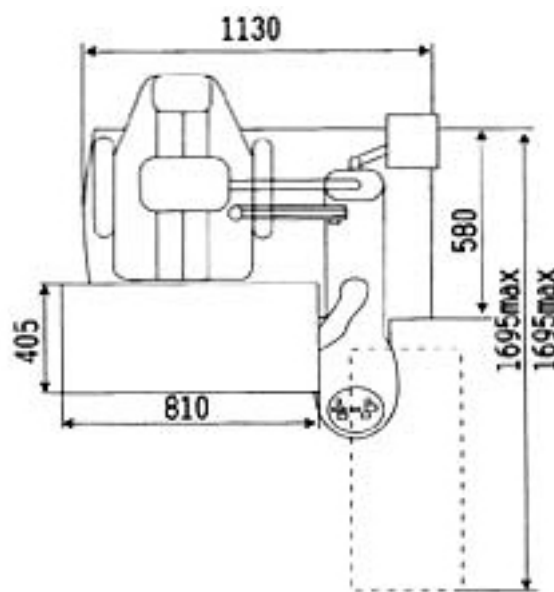
1. Product Introduction.....	3
2. Main Parameter of Technology.....	3
3. Parts of Unit [Overall Drawing].....	4
4. Assembly Guide.....	5
5. Attention.....	8
6. Basic Operation.....	8
7. After-Service.....	9

1. Product Introduction

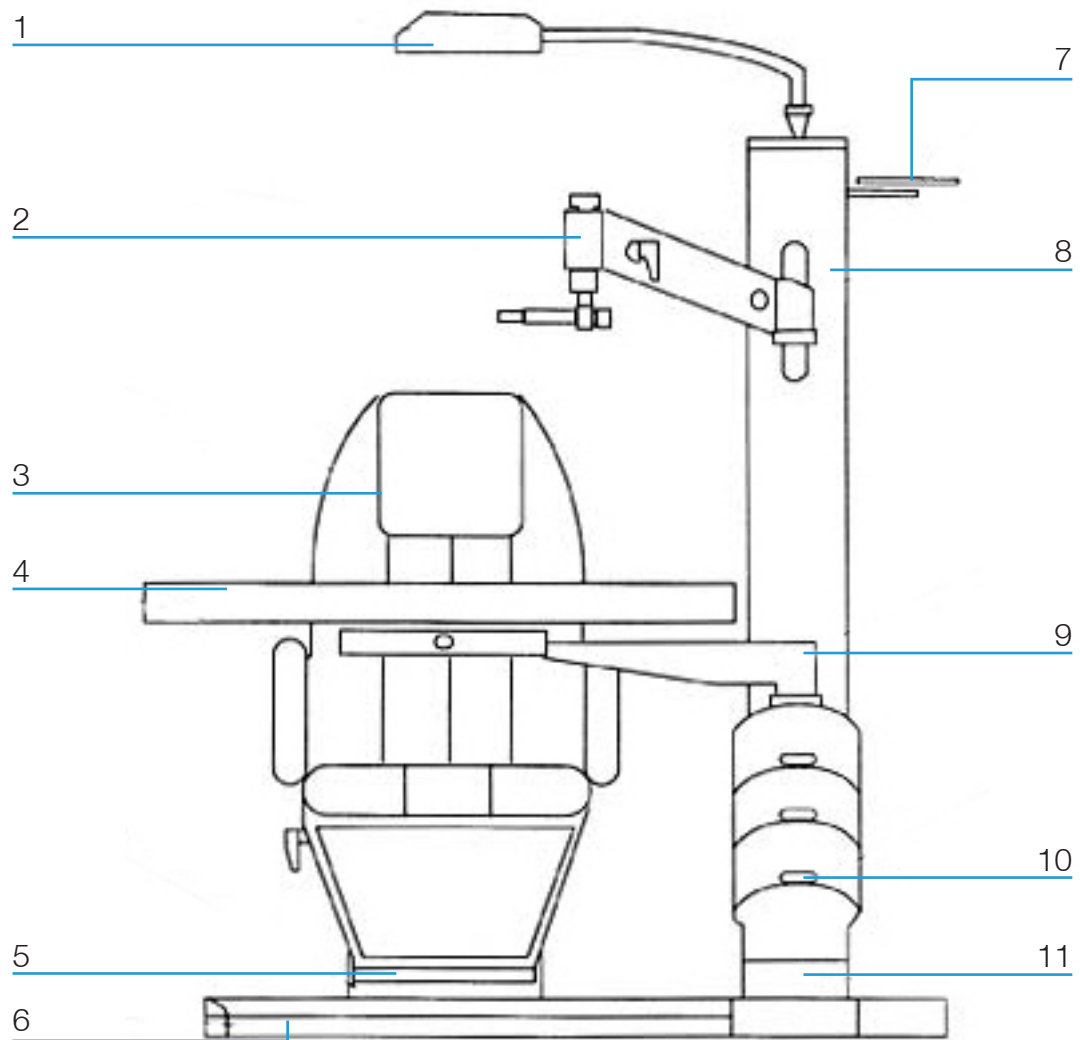
The testing stand for ophthalmology with multifunction is one of a series of products designed to meet customers requirements. It is made of high quality in shape, firmness in structure, convenience in maintenance and ease in operation, it is wear resistant and corrosion proof. As one unit of a complete set of medical apparatus for ophthalmology, it is an ideal choice for ophthalmologists and opticians not only in hospitals but also in optic glass shops.

2. Main Parameter of Technology

Max. Angle for Rotation of Sliding Table	9-0°
Distance for Displacement of Sliding Table	360mm
Distance for Stroke of Electrical Driven Chair	160mm
Max. Loading Capacity of Arm	10kg
Power of Light Source	18w
Power Source	AC220V(AC110V) 50Hz
Weigh of Unit	



3. Parts of Unit (Overall Drawing)



1. Light source

2. Arm

3. Chair

4. TopPlate

5. Lift

6. Base

7. Bracket

8. Post tray

9. Rotary Lever

10. Drawer

11. Support

4. Installation Guide

Please, open the packing box and check the packing list, then examine the parts according to the packing list.

1. Installation of chair back (Fig 1)

- (1) Remove M8 bolts from the support of handrails at left and right sides.
- (2) Remove stop block. Put the end of the fixed screw, which is in the low side of the chair back, into the support of hand rail, then put the other end of the fixed screw into it. Please put the screw in the center of the installation hole.
- (3) Insert the M8 bolts at the left and right sides and fasten them.
- (4) Install the covers for support of handrail.

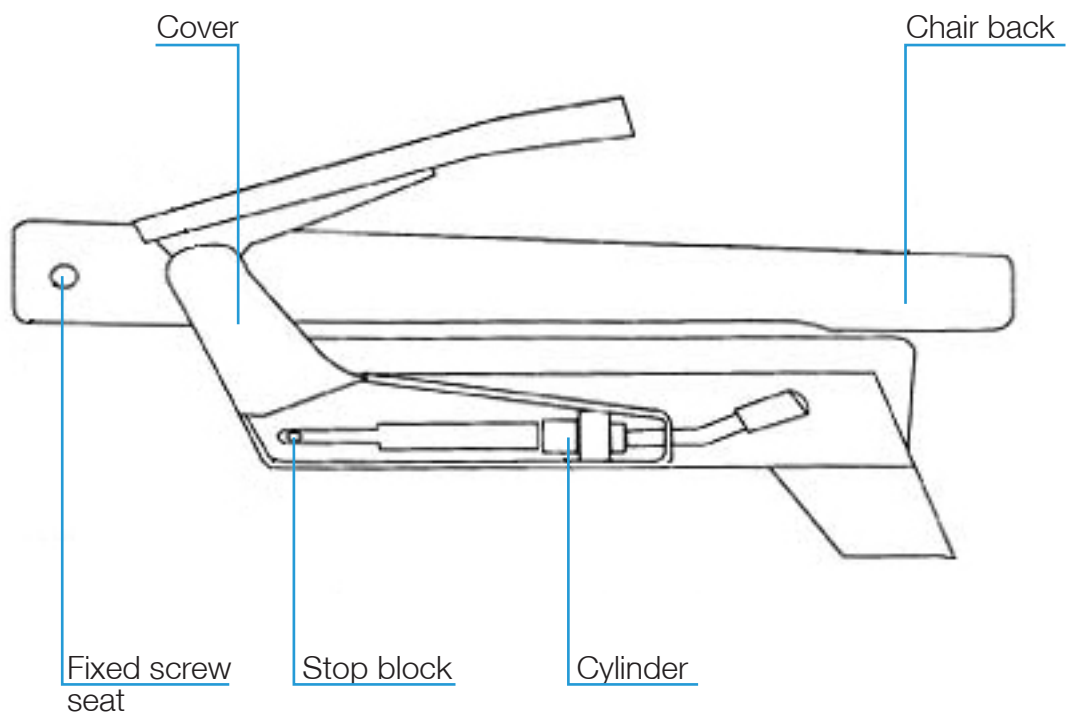


Fig 1

2. Post (Fig2)

- (1) Open the power box and insert the plugs of wires into sockets according to different colors.
- (2) Install the post and tighten the screws.

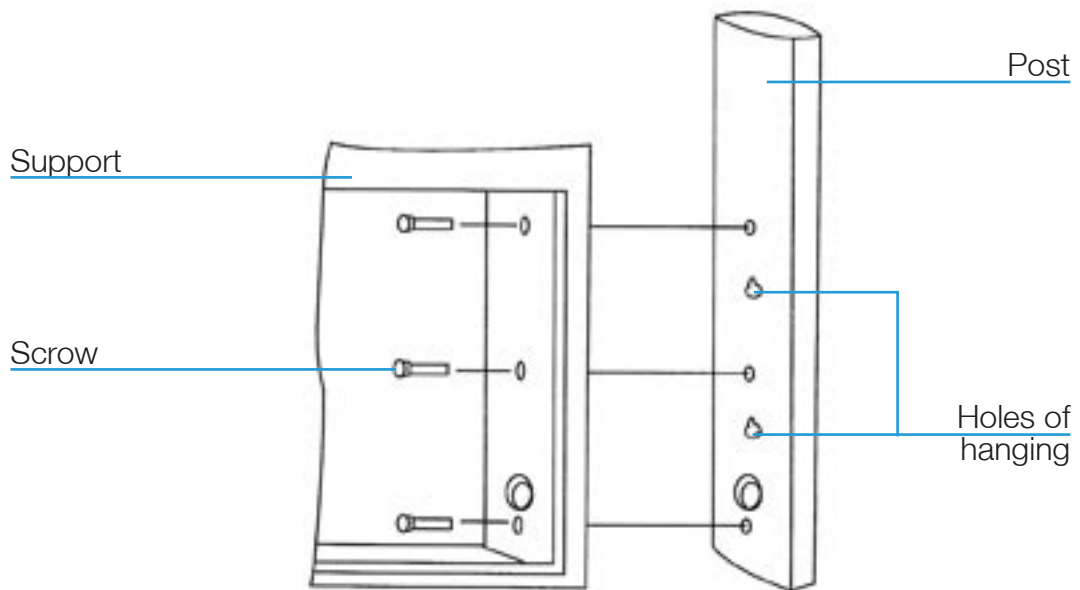


Fig 2

3. Parts of Post

- (1) Light Source (Fig3)

- 1- Put the wires in and insert the plugs of wires into the sockets according to different colors.
- 2- Insert the iron tube and tighten the screw.

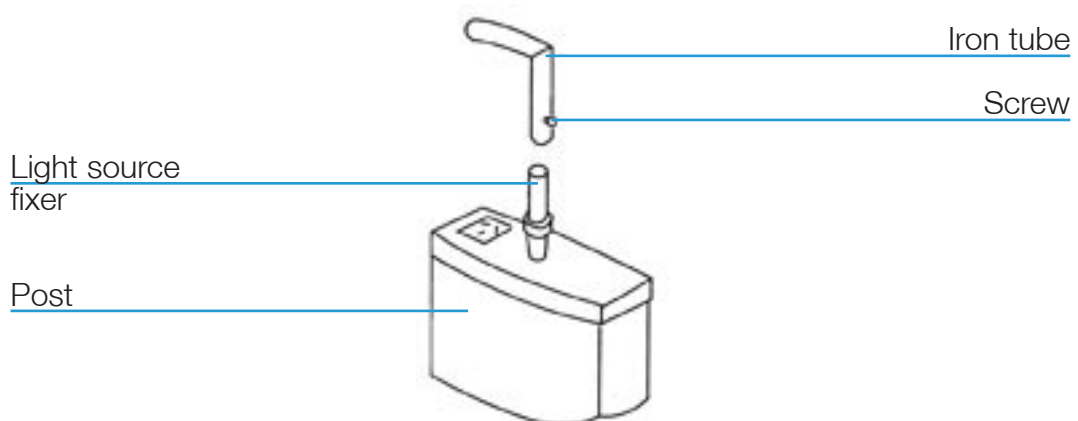


Fig 3

(2) Projector Fixer (Fig4)

- 1- Projector Fixer base
- 2- Projector Fixer Lever

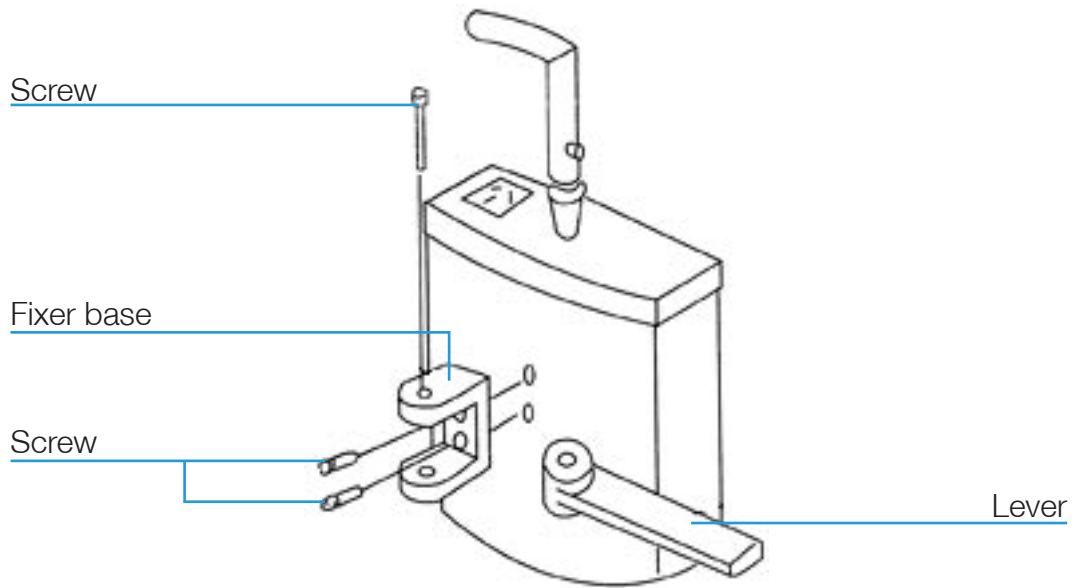


Fig 4

4. Arm (Fig5)

- 1- Insert the arm fixer into sleeve and tighten the screws
- 2- Insert the arm lock it up

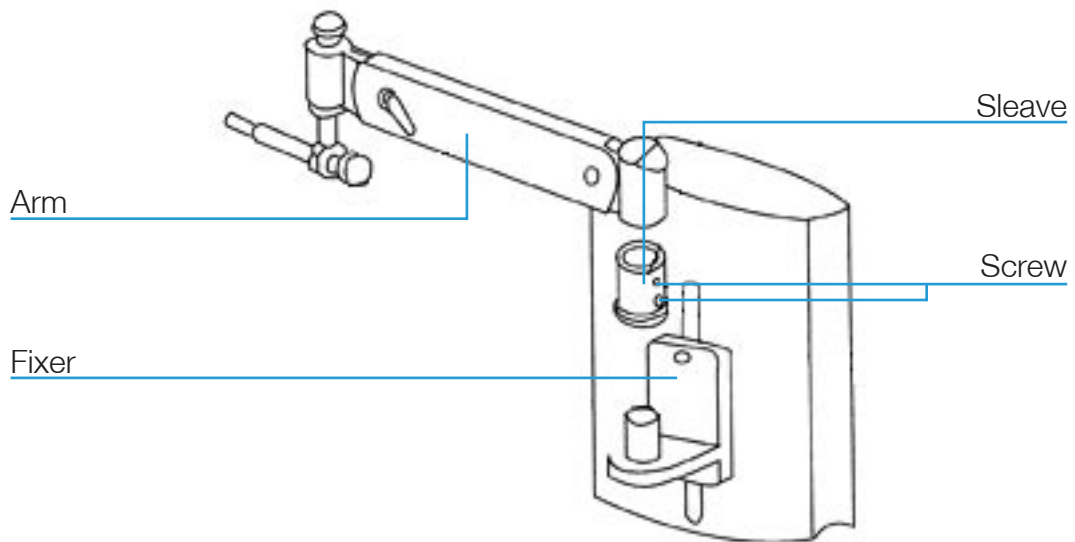


Fig 5

5. Attention

1. The A.C power source should be coincident to the local power source. please, check it before operation.
2. There is an overheating protector for the motor. Once the overheating protector works, the life of the chair can not rise up or descend down. After ten minutes, the chair should work normally again.
3. In order to prevent electrical leakage, keep the stand away from moisture and water showing.
4. It is dangerous to open the support or to repair the stand without cutting off the power supply. Please, let professional undertake the repair work.
5. Please, let the plug of the cable be out of the socket of the power source in case the stand is out of operation for a long time.
6. Please, let the plug of the cable be out of the socket of the power source in first, then clean the stand surface with a soft mop wetted by a neutral cleaner. It is harmful to clean the stand with a piece of sandpaper, a bottle of ground power and a cup of alcohol or other vaporizable impregnant etc.

6. Basic Operation

1. Please, insert the plug of the cable into the socket of the power source and turn on the main switch in the underpart of the post.
2. Control panel (Fig6)

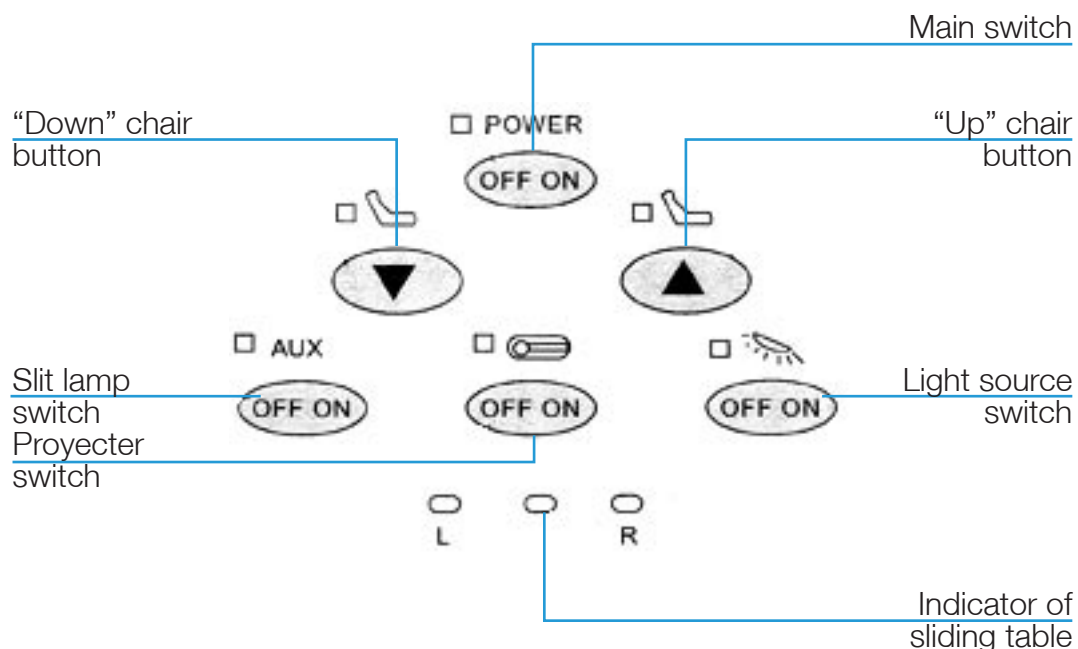


Fig 6

3. Push "On" button of "Power" switch, the indicator lights and indicates the power supply is on. Push "Off" button of "Power" switch, the indicator turns off indicates the power supply is off.
4. Use of the Chair
 - 1- Push the "Up" chair button continuously so that the chair go up slowly; Push the "Down" chair button continuously so that the chair go down. There is a limit switch for below the sliding table for preventing personal accidents.
 - 2- The chair can be rotated horizontally to an angle of 90°. Please, loose the locking lever the chair, then rotate the chair to an ideal angle, and lock it up again.
 - 3- It should be careful that operation of the chair for "Up" and "Down" can not last continuously over on minute.
5. Projector
 - 1- There is a fixed socket on the upper part of the post for supplying power to the projector.
 - 2- On the control panel of the table, there is a control button for projector, "On" and "Off".

6. Sliding Table

- 1- The sliding table is locked usually. Please loose the locking lever bellow the table, then the table can slide horizontally.
- 2- The table can be rotated horizontally round the support to an angle of 90. There is a mechanic limiting component. Please, loose the locking lever on the support, the rotate the table to an ideal angle and lock it up again.
- 3- On the both sides of the table is a DC socket (3V-12V) for supplying power to the crevice light. Please.open the control panne.there is a "Aux" button for controlling slit lamp.
- 4- Below the sliding table,there is a socket for supplying power for the sight tester.

7. Arm

- 1- Loose the fixer of the arm and adjust the level of the arm on the post.
- 2- Loose the locking lever of the arm.then the arm be rotated around the fixer and the micro-adjustment of the vertical position of the sight disc is possible.Then adjust it to an ideal position, and lock it up again.
- 3- Use the round lever of the arm to do the micro-adjustment of the sight disc.

7. After-Service

1. We offer one year warranty on the product from the date written in the invoice, but the following cases are exclusive.
 - 1- Disassembly and repair made by customers themselves.
 - 2- Damage caused in transport and store or by an unsuitable power souce and wrong voltage.
 - 3- Wrong operation or disobedience to the operation manual of our products.
2. Please, in term of the users' manual to use our product. If there is something wrong, let the plug of thecable be out of the power source immediately and contact with the local agents.